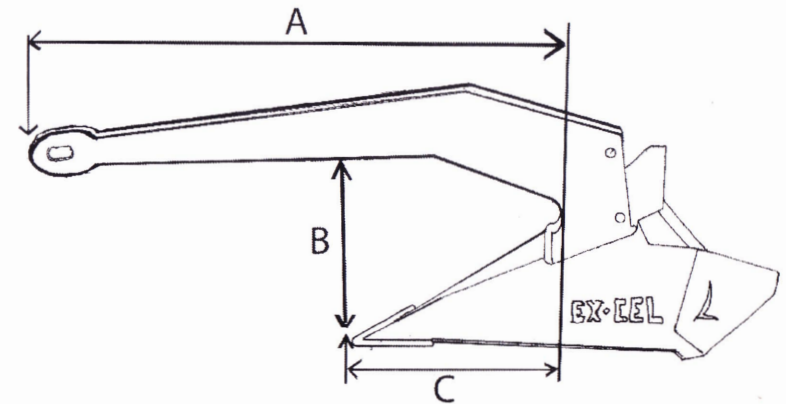




SARCA EXCEL ANCHOR MEASUREMENTS

GALVANIZED AND STAINLESS STEEL



ANCHOR SIZE	BOAT LENGTH IN METRES	BOAT WEIGHT (TONS)	WEIGHT OF ANCHOR	OVERALL WIDTH MM	OVERALL HEIGHT MM	OVERALL LENGTH MM	A	B	C
No 1	Up to 5	Up to 1.2	17lb / 7.5kg	275	280	650	420	220	200
No 2	5-7	1.2 to 2.8	20lb / 9.5kg	310	310	700	460	232	215
No 3	7-10	2.8 to 3.5	26lb / 12.5kg	350	355	810	525	270	250
No 4	10 – 12	3.5 to 7	37lb / 16kg	370	380	860	560	285	265
No 5	12 – 15	7 to 15	47lb / 22kg	415	425	985	635	330	300
No 6	15 – 17	15 to 21	65lb / 30kg	450	460	1085	695	350	330
No 7	17 – 19	21 to 24	80lb / 36kg	480	495	1135	718	375	340
No 8	19 – 21	24 to 28	88lb / 40kg	500	510	1165	750	385	355
No 9	21 – 23	28 to 32	110lb / 50kg	520	530	1205	770	405	365
No 11	23 – 25	32 to 36	120lb / 55kg	535	555	1280	810	410	380
No 13	25 – 27	36 to 42	138lb / 63kg	563	575	1320	840	430	405
No 15	27 – 29	42 to 67	188lb / 88kg	610	640	1410	910	485	440
No 17	29 -31	67 to 88	262lb / 105kg	630	640	1410	910	485	440
No 18	TBA	TBA	300lb / 136kg	695	690	1500	1000	520	440
No 19	TBA	TBA	353lb / 160kg	745	770	1665	1085	530	475

NOTE: These measurements are a guide only as there are many variables to consider when selecting your anchor size. For boats operating under survey you should check with your marine authority for compliance of anchor weight.